



SUPERIOR AUTOMOTIVE WAREHOUSE, INC.



22 Pratt St Allston, MA 02134

Telephone (617) 783-9100

Commodity Book

Spring/Summer 2012



Fuel Cans With Enviro-Flo Spout



1 Gallon
81005

2 Gallon
81010

5 Gallon
81033

5 Gallon Diesel
(Yellow Can)
81054



Diesel Exhaust Fluid

- Required In All 2010 and Newer Diesel Trucks To Meet Emissions Regulations
- Keep DEF Tanks Topped off At Each Oil Change To Prevent Power De-Rating

02567
4/1 Gallon Bottles

03211
2.5 Gal Cube

DEF001
55 Gal Drum



Available Online:

www.superiorboston.com/mpfp/cbs2012.pdf

Additives & Treatments.....	5,6
Batteries.....	22
Battery Terminals.....	22
Brake Lines.....	1
Chemicals.....	4
Cleaning Supplies.....	3,20,21
Exhaust Accessories.....	13,14
Funnels & Fuel Storage.....	15
Gloves.....	21
Grease Delivery.....	15
Grinding & Cutting.....	15

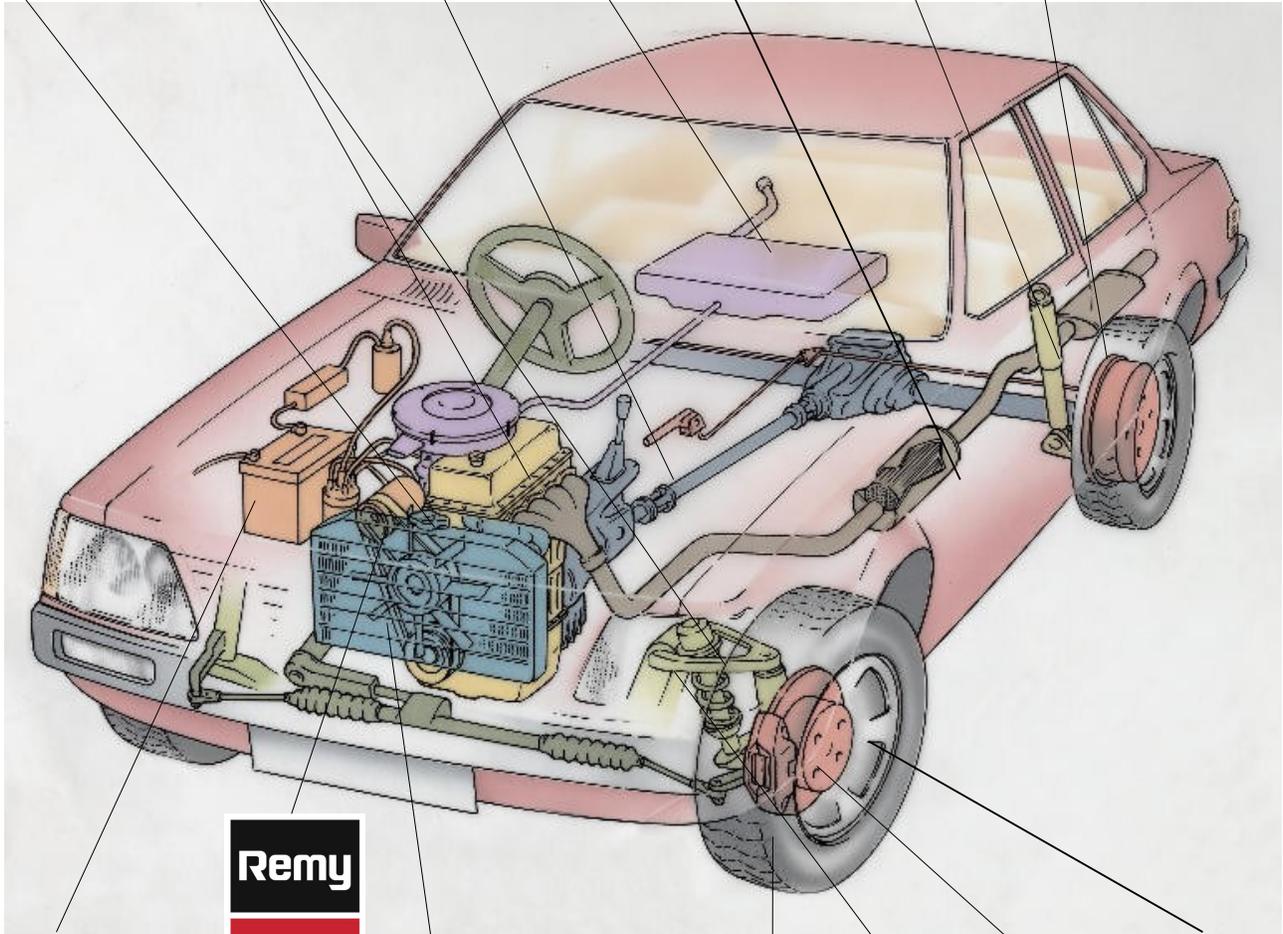
Hoses (Air, Fuel, Heater, Vacuum)....	23
Hose Clamps.....	9
Leak Detection.....	17
Lighting.....	2,15
Lubricants.....	4,7,8
Oil.....	7,8,9,14
Snow Plow Parts.....	16
Specialty Tools.....	1,17
Tire Maint. & Repair.....	18,19
Wiper Blades.....	2

Contact your salesman to order and for promotional prices.

Top Brands Make Us YOUR Under Car Parts Source!



Ignition & Sensors



New & Reman Electrical



Hoses, Belts & Tensioners



Air, Oil, Transmission, Fuel, Cabin Air Filters



Axles, Wiper Motors, Master Cylinders



Prepaid Freight via *our truck* \$200

UPS service available: Orders received by 3pm ship same day. Ground service delivers next business day to most destinations in MA, RI, CT, & Southern NH (Cannot Ship Oil, Chemicals or Batteries via UPS)

Prices subject to availability and may change at any time.

Brake System Parts & Accessories

Brake Fittings

Brake Line Nut

- 121003
3/16" – 5 Fittings/Bag
- 121004
1/4" – 5 Fittings/Bag
- 121005
5/16" – 5 Fittings/Bag
- 121006
3/8" – 5 Fittings/Bag

Compression Union Fittings

- 162300
3/16" – 5 Fittings/Bag
- 162400
1/4" – 5 Fittings/Bag
- 162500
5/16" – 5 Fittings/Bag
- 162600
3/8" – 5 Fittings/Bag



Union Fittings

- 123300
3/16" – 5 Fittings/Bag
- 123400
1/4" – 5 Fittings/Bag
- 123500
5/16" – 5 Fittings/Bag
- 123600
3/8" – 5 Fittings/Bag



Full Line Coverage In-Stock.
Call For Details!

Brake Line Flaring Tool

31310

Kit will work with
3/16", 1/4", 5/16",
3/8" & 1/2" Lines



Caliper Grease /Disc Brake Quiet



26080

- Prevents Squeal & Lubricates
- Applicator Cap With Brush
- Hi-Temp Formula Resists Breakdown From Heat

8 oz Bottle

Brake Lines



Steel Brake Line Coils

- | | |
|----------------------------|----------------------------|
| BLC325
3/16" I.D. x 25' | BLC525
5/16" I.D. x 25' |
| BLC425
1/4" I.D. x 25' | BLC625
3/8" I.D. X 25' |

- Steel Lines Also Available in Straight Lengths with Fittings & Flares Included.
- Domestic, European & Japanese Styles Avail.

Poly-Armour Coils

- | | |
|----------------------------|----------------------------|
| PAC325
3/16" I.D. x 25' | PAC525
5/16" I.D. x 25' |
| PAC425
1/4" I.D. x 25' | PAC625
3/8" I.D. X 25' |

- Poly-Armour Lines Also Available in Straight Lengths with Fittings & Flares Included.

Copper-Nickel Coils

- | |
|----------------------------|
| CNC325
3/16" I.D. x 25' |
| CNC425
1/4" I.D. X 25' |
| CNC525
5/16" I.D. X 25' |
| CNC625
3/8" I.D. x 25' |

NEW



Tube Nut Assortment

45 Piece Assortment



Includes:

- 9 Different Tube Nuts
- SAE Inverted & ISO Bubble Type
- Metric and Imperial Threads
- Labeled Storage Box

BLFA1



Contact your salesman to order and for pricing.

Halogen Capsules



Boxed

- 9003
- 9004
- 9005
- 9006
- 9007



Blister Packs

- PMBP9003
- PMBP9004
- PMBP9005
- PMBP9006
- PMBP9007
- PMBP1255-H1
- PMBP1255-H3
- PMBP1255-H7
- PMBP1255-H11

Blister Packs

- BP9003
- BP9004
- BP9005
- BP9006
- BP9007
- BP1255-H1
- BP1255-H3
- BP1255-H7
- BP1255-H11



Boxed

- 9003
- 9004
- 9005
- 9006
- 9007

Full Line Coverage of Wagner Mini-Bulbs:
Boxed & Blister Packs Available

Windshield Wipers



Trico TECH Universal Beam Blades

- | | |
|--------------|--------------|
| 19-160 – 16" | 19-210 – 21" |
| 19-170 – 17" | 19-220 – 22" |
| 19-180 – 18" | 19-240 – 24" |
| 19-190 – 19" | 19-260 – 26" |
| 19-200 – 20" | 19-280 – 28" |

Universal Bridge Blades

- | | |
|--------------|--------------|
| 30-110 – 11" | 30-200 – 20" |
| 30-130 – 13" | 30-210 – 21" |
| 30-150 – 15" | 30-220 – 22" |
| 30-160 – 16" | 30-240 – 24" |
| 30-170 – 17" | 30-260 – 26" |
| 30-180 – 18" | 30-280 – 28" |
| 30-190 – 19" | |



Winter Wiper Blades



Universal Bridge Blades

- 31 Series**
Available Lengths:
10"-22", 24", 26", 28"

- 30 Series**
Available Lengths:
11", 13", 15", 16", 18", 20",
22", 24"

AeroVantage Wiper Blades

- 91 Series**
Available Lengths:
12" – 22", 24", 26", 28"



Contour Premium Beam Blades

- | | |
|---------------------|---------------------|
| C14UB & C14OE – 14" | C20UB & C20OE – 20" |
| C15UB & C15OE – 15" | C21UB & C21OE – 21" |
| C16UB & C16OE – 16" | C22UB & C22OE – 22" |
| C17UB & C17OE – 17" | C24UB & C24OE – 24" |
| C18UB & C18OE – 18" | C26UB & C26OE – 26" |
| C19UB & C19OE – 19" | C28UB & C28OE – 28" |

Profile Economy Beam Blades

- | | |
|---------------------|---------------------|
| A14UB & A14OE – 14" | A20UB & A20OE – 20" |
| A15UB & A15OE – 15" | A21UB & A21OE – 21" |
| A16UB & A16OE – 16" | A22UB & A22OE – 22" |
| A17UB & A17OE – 17" | A24UB & A24OE – 24" |
| A18UB & A18OE – 18" | A26UB & A26OE – 26" |
| A19UB & A19OE – 19" | A28UB & A28OE – 28" |

Cleaners & Degreasers

Car Wash Soap



Car Wash Powder
25Lb. Bucket – VW4

Car Wash Powder
1Lb. Bucket – VW1

Car Wash Liquid
1 Gal. Bottle - VW5



Glass Cleaners



**Glass Cleaner w/
Ammonia**
12-19oz. cans/cs -
GC1

**Glass Cleaner
Ammonia Free**
12-19oz. cans/cs -
SW050



Engine Cleaner



Foamy Engine Brite
12-17oz. cans/cs - FEB1

Engine Brite
12-15oz cans/cs - EB1



Concrete & Asphalt Cleaner



SW4
Powdered Concrete
Cleaner

25Lb. Bucket



Super Clean



101723
1 gal. Bottle

101725
5 gal. Bottle

101780
32 oz. Spray Bottle



R03335
Concrete & Masonry
Floor Cleaner

Liquid Concentrate
5 Gal Pail



PartsMaster Brake Clean



0732
**PartsMaster
Brake Clean**
V.O.C. Compliant
12-14oz cans/cs.

Brake Clean



**Chlorinated Brake
Clean**
12-19 oz. cans/cs

M720

**Non-Chlorinated Brake
Clean**
12-14 oz. cans/cs

M715



Chemicals

Lubricating / Penetrating Oils



L212
Lubricating Oil
 11 oz spray can: 12/cs

L711
Universal Chain Lubricant
 11 oz spray can: 12/cs



"BLASTER"
 16PB
PB Blaster Penetrating Catalyst
 12 - 11oz cans/cs.



L616
White Lithium Grease
 10.25 oz spray can: 12/cs

L666
White Lithium Grease
 16 oz tub: 12/cs

M914 - **Silicone Spray**
 11 oz spray can: 12/cs



110054
WD-40
 8 oz Smart Straw
 12 cans/cs.



Starting Fluid



M38-15
Thrust Starting Fluid

M39-11
Liquid Fire Starting Fluid



10444
Ultra Lube
Penetrating Oil & Lubricant
 12 - 12oz cans/cs.



- Made from AMERICAN grown Renewable Crops
- Will Not Damage Plastic Parts Like Petroleum Based Products
- No Harsh Odor

Antifreeze/Coolant

- Texaco Havoline **DEX-COOL** - 50/50
 Part #: 221647-497
 1 Gal - 6 Gal/Cs
- Texaco Havoline **DEX-COOL** - Straight
 Part #: 221646-497
 1 Gal - 6 Gal/Cs
- Peak **Global** Extended Life- Straight
 Part #: GLOBAL
 1 Gal - 6 Gal/Cs
- Zerex **Original Green**- Straight
 Part #: ZX001
 1 Gal - 6 Gal/Cs



Additives & Treatments

Limited Slip Differential



- Prevents Rust & Corrosion
- Reduces Operating Temperatures
- Increases Service Life of Components

4 oz. Tube/cs

31904

Transmission Cooler Cleaner



- Removes Dirt, Grease, Grime, Metal Shavings
- Cleans Cooler & Lines
- Does Not Contain Harmful Solvents
- Leaves No Residue Behind

12- 10 oz. Bottles/cs

19001

Transmission Flush



- Removes Varnish Deposits
- Contains Rust/Corrosion Inhibitors
- Does Not Contain Harmful Solvents

12- 10 oz. Bottles/cs

95001



Universal ATF Protectant



- Enhances Performance of All Grades of ATF
- Will Not Alter Sulfur Balance In ATF

12- 10 oz. Bottles/cs

93010



A/C Treatment

A/C System Cleaner

0073

2 Part Cleaner – Kit Includes:

- 1) 1 - 4 oz Can - Air Intake Cleaning Spray
- 2) 1 – 18 oz can – Foaming Evaporator Cleaner



- Quiets Noisy Lifters
- Dissolves Grime, Dirt & Sludge Deposits from Lifters

12- 12 oz. Bottles/cs

M3712

Cooling System Stop Leak



- Does Not Require The System To Be Drained
 - Works With All Coolants
- Permanent Repair Even If Coolant Is Drained Later
- Works On Hard Plastic Parts

6 - 8 oz. Bottles/cs

ST5501

For Use On:

- Radiators
- Cylinder Heads
- Heater Cores
- Engine Blocks
- Water Pump Castings
- Head Gaskets

Contact your salesman to order and for pricing.

Diesel Fuel Anti-Gel / Treatment



Diesel 911

- Re-Liquifies Fuel After Gel-Up Within Minutes
- Thaws Frozen Fuel Filters Eliminating The Need To Change

8025-12
12/1 Qt. Bottles



Diesel Fuel Supplement + Cetane Boost®

- Helps Prevent Gel-Ups to -40°
- Boosts the Cetane Number By Upto 4 Points – Faster Cold Starts

1025-12
12/1 Qt. Bottles



Diesel Fuel Anti-Gel
Treats Fuel Down to
-40 Degrees F
Cleans Injectors

M6912
12-14oz cans/cs.

Other Treatments



10008 Power Steering Stop Leak

12-12 oz. Bottles

10001 Heavy Duty Oil Treatment

12-32 oz. Bottles

10009 Transmission Fix

12-24 oz. Bottles



Stabilizer & Isopropyl Treatment

Fuel Stabilizer

8 oz. Bottle
6 Bottles/cs

M5808/6



Ethanol Treatment

- Prevents Damage From Ethanol In Fuel
- Safe for Cars, Trucks & Small Engines

12 - 10 oz. Bottles/cs
22264



ISO-HEET
Fuel System Drier / Anti-Freeze
24 - 12 oz. Bottles/cs

28202



10020 Gas/Diesel Injector Cleaner

24 - 5.25 oz. Bottles

16FIC Fuel Injector Cleaner

12 - 15.5 oz. Bottles



65740 Techron Fuel System Cleaner

- Reduces Pings & Knocks
- Cleans Injectors

12oz.. Bottle

Oil & Transmission Fluids

Specialty ATF



360 – Mercon V
 370 – Dexron VI
 346 – ATF + 4
 341 – ATF Type F
 324 – Dexron/Mercon Max Life
 Recommended in: GM, Ford,
 Chrysler, Toyota, Mazda & Most
 Other Import Vehicles



12 - 1 Qt Bottles / Cs.

Wolfs Head Universal Synthetic ATF



836-92866-56

Hundreds of Applications
 •1 Case Replaces 6 Types of
 ATF on your shelf

12 - 1 Qt Bottles / Cs.



SynPower - Full Synthetic Motor Oil



916 - 0W-20
 927 - 5W-20
 955 - 5W-30
 966 - 5W-40
 935 - 10W-30
 945 - 20W-50



6 - 1 Qt Bottles / Cs.

PartsMaster Transmission Fluid



5353

Dexron III/Mercon

12 - 1 Qt Bottles / Cs.



DuraBlend - Synthetic Blend Motor Oil



317 - 5W-20
 291 - 5W-30
 296 - 10W-30
 301 - 10W-40
 306 - 15W-40
 311 - 20W-50



6 - 1 Qt Bottles / Cs.

PartsMaster Full Synthetic Oil



5927 - 5W-20
 5955 - 5W-30
 5935 - 10W30

12 - 1 Qt Bottles / Cs.



Conventional Motor Oil



129 - 10W-30
 135 - 20W-50
 177 - 5W-30
 141 - 10W-40
 174 - 5W-20



12 - 1 Qt Bottles / Cs.

PartsMaster Conventional Motor Oil



5129 - 10W-30
 5135 - 20W-50
 5177 - 5W-30
 5141 - 10W-40
 5174 - 5W-20
 5380 - 15W-40

12 - 1 Qt Bottles / Cs.



2 Cycle Oil



461 – Multi-Purpose Oil
 12 - 1 Qt Bottles / Cs.
 469 – Outboard Marine Oil
 TC-W3 Certified
 12 – 16 Oz. Bottles / Cs.



VR1 Racing Oil



205 – 10W-30
 211 – 20W-50
 229 – SAE 40
 235 – SAE 50

12 - 1 Qt Bottles / Cs.



Contact your salesman to order and for pricing.

Gear Oil & Grease

Grease



Lubrimatic Grease
10-14oz. Tubes/cs - 11310

Lubrimatic *Red* Grease
10-14oz. Tubes/cs - 11390



Gear Oil



831 – 80W-90
825 – 85W-140
975 – 75W-90 Synthetic
982 – 75W-140 Synthetic

12 - 1 Qt Bottles / Cs.

Grease



**Synthetic
Multi-Purpose Grease**

985 - 10 – 14.1 Oz. Tubes / Cs.



5831 – 80W-90

12 – 1 qt. Bottles / cs.



PO44 – 80W-90

5 Gal Pail



GM/Chrysler European/Japanese Cars

615 - 10 – 14.1 Oz. Tubes / Cs.

614 - 12 – 1 Lb Tubs / Tray

616 - 6 – 4 Lb Tubs / Tray



Multi-Purpose

609 - 10 – 14.1 Oz. Tubes / Cs.

Ford/Lincoln/Mercury Moly-Fortified

633 - 10 – 14.1 Oz. Tubes / Cs.



Power Steering Fluid



M2734 – Power
Steering Fluid With
Stop Leak

4 - 1 Gal Bottles / Cs.



M2713 – Power Steering
Fluid With Stop Leak

12 – 12 Oz. Bottles / Cs.

M2732 – Power Steering
Fluid With Stop Leak

12 – 22 Oz. Bottles / Cs.



M2714H/6 – **Honda & Acura**
Power Steering Fluid With
Stop Leak

12 – 12 Oz. Bottles / Cs.



Synthetic Gear Oil



975 – 75W-90
982 – 75W-140

12 - 1 Qt Bottles / Cs.



Diesel Rated Motor Oil



550019913
15W-40 – Rotella T
3 - 1 Gal Bottles / cs



773634
15W-40 – All Fleet Plus
3 - 1 Gal Bottles / Cs.



550019905
15-W40 – Rottella T
12 - 1 Qtl Bottles / Cs.

70509
15-W40 – Premium Blue
Cummins Rated Oil
4 - 1 Gal Bottles / Cs.

WE KNOW PARTS!



PartsMaster Blower Motors by Four Seasons

- Hundreds of Applications in Stock
- **Premium Quality Without the Price**
- With and Without Mouse Wheels



Don't Be Left Out In The Cold!!!



Hose & Fuel Line Clamps

Heavy Duty Hose Clamps



- | | |
|--------------------------|---------------------------|
| 50006
3/8" – 7/8" | 50032
1 1/2" - 2 1/2" |
| 50008
7/16" – 1" | 50044
2 1/4" – 3 1/4" |
| 50010
1/2" – 1 1/16" | 50048
2 1/2" – 3 1/2" |
| 50012
1/2" – 1 1/4" | 50052
2 3/4" – 3 3/4" |
| 50016
11/16" – 1 1/2" | 50056
3" – 4" |
| 50020
3/4" – 1 3/4" | 50064
2 5/16" – 4 1/4" |
| 50024
1" – 2" | 50072
2 1/2" – 4 1/2" |
| 50028
1 1/4" – 2 1/4" | |

Fuel Injection Hose Clamps



NEW



Sizes:

- 52F13 – 7/16" – 1/2"
- 52F15 – 1/2" – 9/16"

Hose Clamp Assortment & Display

Includes 120 Clamps In
The Following Sizes:



- 50006
- 50010
- 50012
- 50020
- 50028
- 50036
- 62004
- 90500 (Display)



Part #: PMHCA1

Micro-Gear Small Hose Clamps



Sizes:

- 62004 – 1/4" – 5/8"
- 62005 – 5/16" – 7/8"

Contact your salesman to order and for pricing.

Diesel Exhaust Fluid



- Required In Most 2010 and Newer Diesel Trucks To Meet Emissions Regulations
- DEF Consumption is approximately 3% of Fuel Consumption (3 Gal of DEF/100 Gal Fuel)
- Keep DEF Tanks Topped off At Each Oil Change To Prevent Power De-Rating

03211
2.5 Gal Cube

02567
4/1 Gallon Bottles

DEF001
55 Gallon Drum (Special Order Only)



WE KNOW PARTS!

In Stock!

Wagner Perfect Stop Brake Pads



- Rubber Core Shims Dampen Vibration & Reduce Squeal
- **Platform Specific Friction Material: Ceramic, Semi-Metalic & NAO**
- Electronic Wear Sensors Included on Specific Applications
- Ceramic Pads Come OE Style Scorched
- Dozens of Numbers Include Hardware & Lubricant



Value Pack Fuses



- Great For Fleet Applications
- Save by Avoiding Retail Size Packages
- Always Have the Most Popular Fuses On-Hand
- 25 Fuses / Package

Available in Popular ATC & ATM Sizes

Amperage Levels Below:

VP/ATC 7 1/2, 10, 15, 20, 25, 30
VP/ATM 7 1/2, 10, 15, 20, 25, 30

Low Profile Fuses



- Used in Many Hybrid Applications
- Always Have the Most Popular Fuses On-Hand
- 5 Fuses / Package

Amperage Levels Below:

- BP/ATM7 1/2LP-RP
- BP/ATM10LP-RP
- BP/ATM15LP-RP
- BP/ATM20LP-RP
- BP/ATM25LP-RP
- BP/ATM30LP-RP



Brake Fluid

DOT 3



Exceeds
DOT 3 Standards
401° Boiling Point

M4412
24 - 12 oz. Bottles / cs

M4432
12 - 32 oz. Bottles / cs

M4434
4 - 1 Gal. Bottles / cs



FC134280
24 - 12 oz. Bottles / cs

FC134281
12 - 32 oz. Bottles / cs

FC134282
6 - 1 Gal. Bottles / cs

FC134283
5 Gal. Pail

DOT 4



Exceeds
DOT 4 Standards
446° Boiling Point

M4512/6
6 - 12 oz. Bottles / cs

M4532
12 - 32 oz. Bottles / cs



FC120838
24 - 12 oz. Bottles / cs

FC120839
12 - 32 oz. Bottles / cs

DOT 5.1



Exceeds
DOT 5.1 Standards
518° Boiling Point

FC133300
24 - 12 oz. Bottles / cs

FC133301
12 - 32 oz. Bottles / cs



Adhesive & Epoxy

Thread Lock

24569
Blue / Medium Hold
6 ml Carded

27569
Red / High Hold
6 ml Carded



24213
Blue / Medium Hold
13 ml Carded

27113
Red / High Hold
13 ml Carded



8265S
J-B Weld Original
2 Oz Carded

8276
J-B Kwik - 4 Minute
2 oz Carded



44209
4 Minute / Grey
2 Oz Carded

43109
5 Minute / Clear
1 oz Carded

Contact your salesman to order and for pricing.

Silicone & Sealants

Hi Temp Red RTV Silicone



65309 – Type 650

- Hi Temp Formula
Protects Up to 650°
& 5000 psi

3 oz Carded



Automotive Black Silicone



27039 – Type 270
- Seals Against: Oil, ATF,
Grease, Water & Steam
- Withstands up to 535°

3 oz Carded



Super Clear Silicone



73009 – Type 7

- Seals Against: Oil, ATF,
Grease, Water & Steam
- Withstands up to 600°

3 oz Carded



Mega Copper Silicone



88839

- **Non-Corrosive to: Steel, Iron,
Aluminum**
- Seals Against: Oil, ATF, Grease,
Water & Steam
- Withstands up to 700° Exposure

3 oz Carded



Mega Black Silicone



99839

- Seals Against: Oil, ATF,
Grease, Water & Steam
- Withstands up to 650°
Exposure

3 oz Carded



Mega Blue Silicone



77739

- **Hi-Revving / Hi-Performance
Engines**
- Seals Against: Oil, ATF,
Grease, Water & Steam
- Withstands up to 700° Exposure

3 oz Carded



Mega Grey Silicone



99939

- **For Import Engines**
- Seals Against: Oil, ATF,
Grease, Water & Steam
- Withstands up to 650° Exposure

3 oz Carded



Anti-Seize Thread Treatment



13109

2 oz Carded

13010

10 oz Bottle w/ Brush

Hi Temp Formula Protects Up
to Constant 1200° Exposure



Exhaust Accessories

Tailpipe Extensions



<p>17620 1 1/2" I.D. X 18"</p> <p>17621 1 3/4" I.D. X 18"</p> <p>17622 1 7/8" I.D. X 18"</p> <p>17623 2" I.D. X 18"</p> <p>17624 2 1/4" I.D. X 18"</p> <p>17627 2 1/8" I.D. X 18"</p>	<p>17630 1 1/2" I.D. X 24"</p> <p>17631 1 3/4" I.D. X 24"</p> <p>17632 1 7/8" I.D. X 24"</p> <p>17634 2 1/4" I.D. X 24"</p>
---	---

Universal Flex Pipes



<p>1906 Without Nipples (WAL 51015) 2" I.D. X 4"</p> <p>1907 Without Nipples (WAL 51021) 2" I.D. X 6"</p> <p>1919 With Nipples (WAL 51023) 1 3/4" I.D. X 4" (8" OAL)</p> <p>1921 With Nipples (WAL 41452) 1 3/4" I.D. X 8" (12" OAL)</p> <p>1923 With Nipples (WAL 42215) 1 3/4" I.D. X 10" (14" OAL)</p> <p>1931 With Nipples 2 1/4" I.D. X 10" (14" OAL)</p> <p>1932 With Nipples 2 1/2" I.D. X 10" (13.5" OAL)</p>	<p>1908 Without Nipples (WAL 51022) 2" I.D. X 8"</p> <p>1912 Without Nipples 2 1/4" I.D. X 4"</p> <p>1925 With Nipples (WAL 51024) 2" I.D. X 4" (8" OAL)</p> <p>1926 With Nipples (WAL 51025) 2" I.D. X 6" (10" OAL)</p> <p>1927 With Nipples (WAL 52252) 2" I.D. X 8" (12" OAL)</p> <p>1929 With Nipples (WAL 51015) 2" I.D. X 10" (14" OAL)</p>
---	---

45° Exhaust Elbows



<p>17753 2" I.D. X 2" O.D.</p> <p>17754 2 1/4" I.D. X 2 1/4" O.D.</p> <p>17755 2 1/2" I.D. X 2 1/4" O.D.</p>
--

Turndowns & Tail Pipes

<p>17600 1 1/2" I.D. X 12"</p> <p>17601 1 3/4" I.D. X 12"</p> <p>17602 1 7/8" I.D. X 12"</p>
--

<p>17603 2" I.D. X 12"</p> <p>17604 2 1/4" I.D. X 12"</p> <p>17605 2 1/2" I.D. X 12"</p>
--



Heavy Duty Exhaust Clamps

<p>50020 1 1/2"</p> <p>50022 (WAL 35343) 1 3/4"</p> <p>50023 (WAL 35344) 1 7/8"</p> <p>50024 (WAL 35335) 2"</p> <p>50025 (WAL 35364) 2 1/8"</p>

<p>50026 (WAL 35336) 2 1/4"</p> <p>50027 (WAL 35337) 2 1/2"</p> <p># 60 (WAL 35793) 2 3/4"</p> <p># 61 (WAL 35794) 3"</p>



3/8" U-Bolt with Zinc Plated Hex Nuts & 11 Gauge Saddle with Reinforcing Ribs



Split Flange Repair Kits

36128
Ford Flange Kit
Includes Flange, Gasket & Spring Bolts



36134
VW/Audi Flange
1 7/8" Pipe – 3 Hole



GM Universal

36130
Fits 2 1/2" Pipe – 2 Hole Round Bolt Holes

36131
Fits 2 1/4" Pipe – 2 Hole Slotted Bolt Holes

36132
Fits 2" Pipe – 2 Hole Slotted Bolt Holes



Contact your salesman to order and for pricing.

Nickson 360° Swinger



Universal Swivel Exhaust Hanger



00075 – 9 3/4"

Universal Tail Pipe Hangers



17144

Equivalent to Walker 35600
Fits All 1 1/2" through 2 1/4"
O.D. Pipes



17150

Universal Wire Hanger



Universal Connectors & Adapters

17501

2" I.D. X 2" O.D.

17502

2 1/4" I.D. X 2" O.D.

17503

2" I.D. X 1 3/4" I.D.

17504

2" I.D. X 2" I.D.

17505

2 1/2" I.D. X 2" O.D.

17506

2" I.D. X 1 1/2" I.D.

17507

2" O.D. X 1 3/4" I.D.

17508

2" I.D. X 1 13/16" O.D.

17509

2 1/4" I.D. X 1 7/8" O.D.

17510

2 1/8" I.D. X 2 1/8" I.D.

17511

2 1/4" I.D. X 2 1/4" I.D.

17512

2 1/4" I.D. X 2 1/4" O.D.

17513

2 1/2" I.D. X 2 1/2" I.D.

17514

2 1/8" I.D. X 2" O.D.



17515

1 3/4" I.D. X 1 3/4" O.D.

17516

2" I.D. X 1 3/4" O.D.

17519

1 1/2" I.D. X 1 1/2" I.D.

17521

2 1/4" I.D. X 2 1/8" O.D.

17522

2 1/2" I.D. X 2 1/4" I.D.

17523

2 1/4" O.D. X 2" I.D.

17525

2 1/8" I.D. X 2 1/8" O.D.

17526

1 7/8" I.D. X 1 3/4" O.D.

17527

1 7/8" I.D. X 2" O.D.

17528

2" I.D. X 1 7/8" O.D.

17536

1 5/8" I.D. X 1 3/4" O.D.

EasySeal Stainless Steel Band Clamps

35620
2"

35621
2 1/4"

35979
2 1/2"

35622
2 3/4"

35978
3"

35977
3 1/2"

35976
4"

35975
5"



Clamp-A-Stud



Sizes:

17350 – 1/4" – 1 3/4"

17351 – 1 1/4" – 2 3/4"

17352 – 2 1/4" – 3 3/4"



Muffler Cement



35958

16 oz Tube – 12 / Cs.



Hydraulic Oil



AW32 Hydraulic Oil

Anti Wear Additives
Anti Foam Properties

5 Gal Pail

75-105



Hydraulic Jack Oil

Extreme Pressure
Additives
For Use in All Jacks

12 – 12 oz. Bottles/cs

M3312



**Snow Plow
Hydraulic Oil**

Anti Wear Additives
Cold Weather formula

6 – 1 Qt. Bottles/cs

QL17



Grease Delivery



Standard Pistol Grip
30-200

Professional Pistol Grip
30-300



Professional Lever Action
30-475

Heavy Duty Lever Action
30-465



Suction Gun w/ 1Pint Capacity
30-318

Bottle Top / Gear Oil Pump w/
Flex Hose for 1 Qt Bottles
55-001

Roloc Grinding Discs



29250
2" 50 Grit *Green* - 25/Bx
Compare to 3M 01396

29350
3" 50 Grit *Green* - 25/Bx
Compare to 3M 01406

29280
2" Coarse Grit - 25/Bx
Compare to 3M 07480

29281
2" Medium Grit - 25/Bx
Compare to 3M 07481

01396
2" 50 Grit Green - 25/Bx

01397
2" 36 Grit Green - 25/Bx

01398
2" 24 Grit Green- 25/Bx

07480
2" Coarse Grit - 25/Bx

07481
2" Medium Grit - 25/Bx



Shop Lighting



Extension Cords

524007 – 50' 16 Gauge



Drop Lights

Metal Cage w/
Grounded Outlet
524088 – 25' 18 Gauge

Compact fluorescent
w/ Grounded Outlet
524148 – 25' 16 Gauge

Spare Parts

Metal Cage
524109

Handle w/ Outlet
524106

Compact
Fluorescent Bulb
524190



Rough Service
Bulbs – 6/bx

50WRS - 50W
75WRS - 75W
100WRS - 100W



Rough Service
Bulbs – 4/bx

PM50RSHD - 50W
PM75RSHD - 75W

Fuel & Oil Storage



Fuel Cans

1 Gallon
81005

2 Gallon
81010

5 Gallon
81033

5 Gallon Diesel
(Yellow Can)
81054



Oil Pans/Funnels

5 Gallon Drain Pan
11845

Yellow Mini Funnel
05007

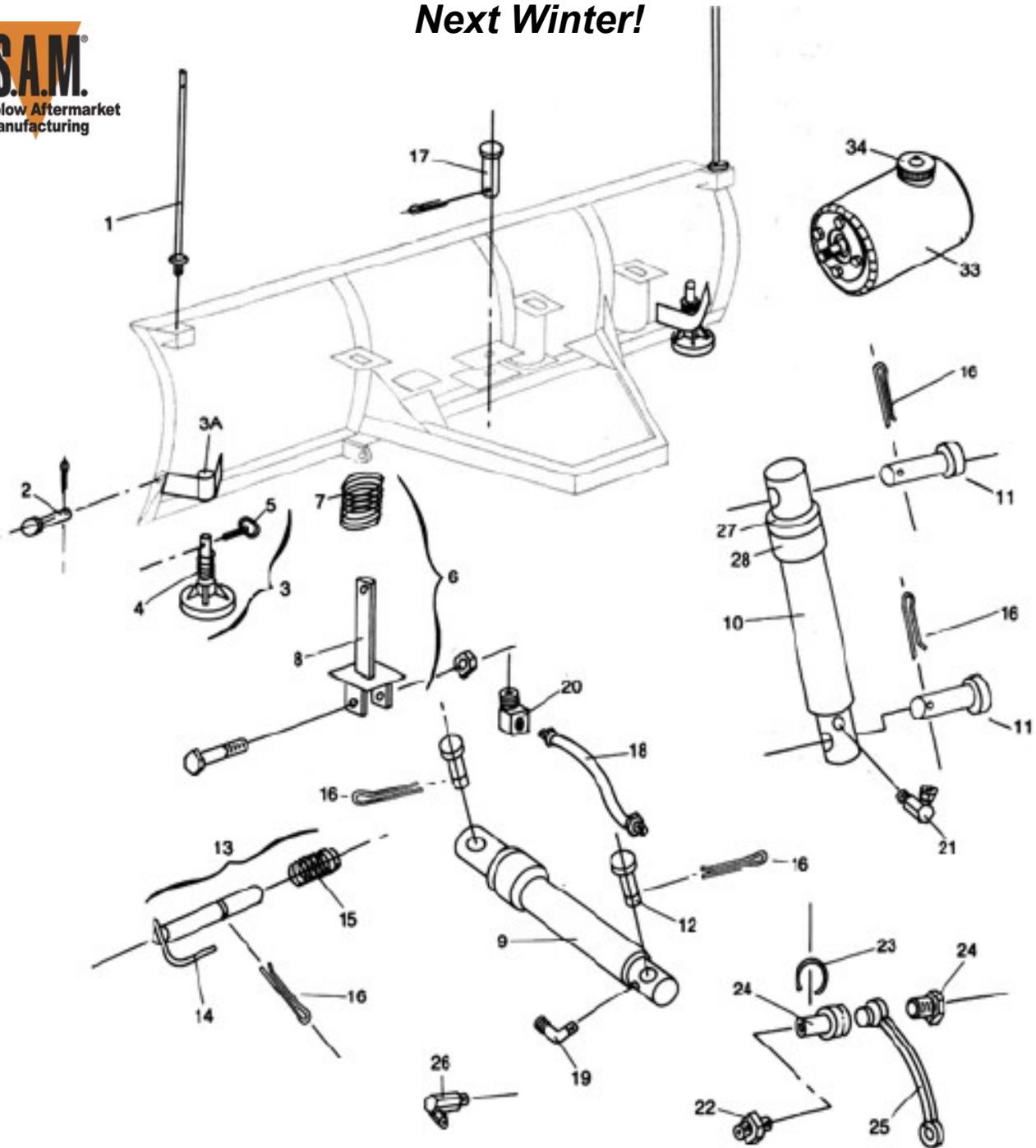
Super Funnel
75-068

Radiator Filler
75-029



Contact your salesman to order and for pricing.

It's Never Too Soon To Have Your Equipment Ready For Next Winter!



Call for full parts list – Provide number from diagram (This diagram for Fisher)



Snow Plow Hydraulic Oil

Anti Wear Additives
Cold Weather formula
6 – 1 Qt. Bottles/cs

QL17



Replacement Plow Parts

- Guides
- Pins
- Hoses
- And More!
- Call For More Info



For Fisher & Other Top Makes

Leak Detection & Diagnostic Products

Sonic Leak Detection

TRACERLINE®

TP-9370

Marksman Master Kit

Amplifies sounds and vibrations that extend beyond the range of the human ear

- Contact Probe can detect bearing and gear vibrations
- Air Tube Probe can detect air & water leaks, failed seals, etc.
- Includes Ultrasonic Emitter which can be placed inside vehicles to test body seals
- Emitter & Receiver run on standard 9V batteries (Approx. 20 hrs of use)

Includes:

Receiver, Headphones, Air Probe, Contact Probe, Ultrasonic Emitter, Padded Impact Case & Batteries



Dyes & Refills

TRACERLINE®

TP-3400-0601

All-In-One™ Full-Spectrum Oil Dye
(6 – 1oz. Bottles)
Enough for up to 24 services



TP-3840-0601

Fluoro-Lite™ Universal A/C System Dye
(6 – 1oz. Bottles)
Enough for up to 24 services



TP-3900-0601

Engine Coolant and Auto Body Leak Check
(6 – 1oz. Bottles)
Enough for up to 24 services



TP-9770-0108

Universal Dye For BigEZ™ & EZ-Shot™ Injectors (Compatible with ALL Lubricants and Refrigerants)
(1 – 8oz. Dye Cartridge)
Enough for up to 32 services



TP-9870-0601

Universal Dye Capsule For EZ-Ject™ Injection Systems (Compatible with ALL A/C Systems)
(6 – ½ oz. Capsules)



Ester & PAG Oils

EF PRODUCTS
AUTO A/C PRODUCTS & SEALING SOLUTIONS

EFP311

Stop Leak (4 OZ)
Contains PAG lubricant and R134a, plus conditioners that rejuvenate O-rings, gaskets and other rubber connectors.



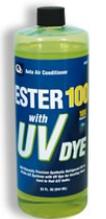
EFP491

Ester 100 (Qt)
ISO 100 viscosity Ester for R134a systems.



E100UVQT

Ester 100 W/ UV Dye (Qt)
ISO 100 viscosity Ester with UV Dye for R134a systems.



EFP492

PAG 100 (Qt)
ISO 100 viscosity PAG for R134a systems.



EFP494UV

PAG 150 W/ UV Dye (Qt)
ISO 150 viscosity PAG with UV Dye for R134a systems



Contact your salesman to order and for pricing.

Tire Maintenance & Repair

Valve Stems



- 5040413-50
1.25" L – 50/Box

- 5040414-50
1.50" L – 50/Box

- 5040418-50
2.00" L – 50/Box

- 5040280 (TR600)
High Pressure
1.27" L – 50/Box

- 5040281 (TR602)
High Pressure
2.00" L – 50/Box



Ru-Glyde Tire Lubricant

RG18



- Lubricates Bead to Prevent Damage During Mounting
- Protects Against Tire Slippage After Mounting
- Can Be Used on Bushings To Prevent "Rubber Squeak"



1 Gal Bottle

Bead Sealant



1010005

- Brush-Cap Can
- Prevents Leaks
- Eases Installation

1 Qt. Can



Rubber Cement

1010003

- Vulcanizing Cement
- Brush-Cap Can
- Prevents Leaks
- Eases Installation

1 Qt. Can



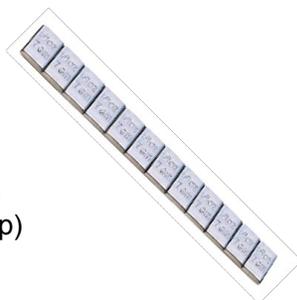
Wheel Weights



100360

Universal Stick On
¼ oz Pieces (12/Strip)

30 Strips/Bx



Also In Stock:
MC Style Coated & Plain
AW Style Coated & Plain
P Style Plain
TN Style Coated

Various Weight Increments
25 Weights/Bx



String Plug Kit



5040217T

- Safe for Radial & Bias Ply Tires
- Easy Installation
- Great for Fleets & Garages

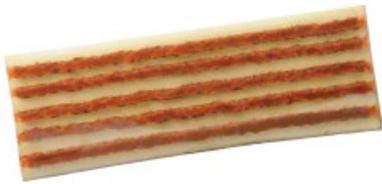
Contains:

- 50 - 4" Fat Brown Strings
- Ergonomically Designed Rasp and Eye-Needle
- Razor Knife
- Jar of Lubricant
- Durable Storage Case

String Plugs



5040216



- 4" Fat Brown String
 - Safe for Radial & Bias Ply Tires
 - Easy Installation
- 30 Strings/Bx

Quill Plugs



5040230

2 1/8" – 15/bx

5040231

1 7/8" - 20/bx



- Metal Quill for Easy Installation
- Safe for Radial & Bias Ply Tires
- Vulcanizing Gum with Paper Backing

Roadside Tire Inflator



0747

- Hose-Top Can
- Inflates Automotive Tires in Minutes

16 oz. Cans - 12/cs



Valve Stem Caps

5040250

- Replacement Valve Stem Caps
- Black Plastic (TRVC8)

50 Caps/Bx



TPMS Parts Assortment



-17-21305

Contains parts to service:

- Ford
- Chrysler
- GM

Kit Includes:

- 145 "Parts Kits"
- 100 Valve Cores
- 200 Plastic Valve Caps
- Valve Core Torque Tool
- Application Guide



- 17-21306

Contains Parts to Service:

- Acura
- Honda
- Toyota
- Hyundai
- Infiniti
- BMW
- Audi
- Volkswagen
- Subaru
- Saab
- Nissan
- Mercedes
- Kia
- Lexus
- Other Imports

Kit Includes:

- 165 "Parts Kits"
- Application Guide



TPMS Universal Sensors

- Universal Pre-Programmed Sensors

- Top Coverage for Most Popular Applications:

- Buick
- Cadillac
- Chevrolet
- Chrysler
- Dodge
- Ford
- GMC
- Hummer
- Isuzu
- Jeep
- Mitsubishi



TPMS Mounting Band

17-21103

- TPMS Sensor Band for Ford Vehicles

- Fits 14" - 26" Wheel
- Compare to the O.E. / Dealer

Sold Each



Contact your salesman to order and for pricing.

Cleaning, Office & Shop Supplies

Wash Brush & Broom



8" Soft Wash Brush
With 48" Handle
93053

10" Wash Brush
(No Handle)
93057

60" Broom Handle
93069

24" Push Broom
93070



Oil Dri



40 Lb. Bag
OD40

Special Bulk Pricing on
Orders of 6 Bags or
More. Call For Details



Nylon Zip Ties

04-18/C – 4" Clear
04-18UV/C – 4" Black
07-50/C – 7" Clear
07-50UV/C – 7" Black
11-50/C – 11" Clear
11-50UV/C – 11" Black
14-120/C – 14" Clear
14-120UV/C – 14" Black



100/Bag



Ice Melt



SALT

Calcium Chloride &
Rock Salt Blend

50 Lb Pail

Service Station Squeegee



- 8" Squeegee
- Wood handle
Part #: 9031PM



Razor Blades & Scrapers

RZ009
#9 Single Edge
100/BOX

RZ012
#12 Single Edge
100/BOX

LIS 52000
Inspection Sticker Razor
Scraper
Includes 5 Blades



Packing Tape



F4085-05

Clear Carton Sealing Tape
2" x 325'

6 Rolls/Bundle
NON RETURNABLE



Electrical Tape



1060

Black Electrical
Tape
3/4" x 60'



10 Rolls/Sleeve (Full Sleeve Only)

Teflon Tape



25325

Teflon Tape
1/2" x 260'

Sold Each
NON RETURNABLE



Bath Tissue & Hand Towels



Part#: STOTP
4" x 1,000'
2 Ply / Jumbo Roll
(Requires Commercial Dispenser)
Sold Each / NON RETURNABLE

Part #: STOHT

Kraft Paper Hand Towels
1 Ply / Non-Perforated
8" x 350'

Sold Each / NON RETURNABLE



Rags In A Box



75260 – 200 Towels/Box



Stretch Wrap



SF1675

Clear Stretch Wrap
16" x 1,485'

Sold Each
NON RETURNABLE



Copy / Fax Paper

Part #: FAX

Blank White Copy/Fax Paper
20Lb. 92 Bright*
500 Sheets/Ream
*Specs. May Vary Slightly

Sold Each
NON RETURNABLE



Gloves & Hand Protection

Latex & Nitrile Gloves



NEW

Latex

AG44100TM – Medium 100/Bx
AG44100T – Large 100/Bx
AG44100TXL – Extra-Large
100/Bx

Nitrile

AG74100TM – Medium 100/Bx
AG74100T – Large 100/Bx
AG74100TXL – Extra-Large
100/Bx



Abrasive Hand Cleaners



R04824

Cherry Hand Clean
With Abrasive
1 Gal Bottle
4 Gal/Cs



1041729

Wall Mount Dispenser
-Heavy Duty Design
- "Elbow Operated" Lump Lever



Work Gloves



Brown Jersey
Size L - AG905T

Heavy Duty Suede
Leather
Size L - AG625ET



Fast Orange Hand Cleaner
with Pumice

1 Gal. Bottle with Pump
25-219

Contact your salesman to order and for pricing.

Batteries & Electrical Supplies

Split Loom



- CL4S - 50' x 1/4"
- CL5S - 50' x 3/8"
- CL6S - 50' x 7/16"
- CL11S - 50' x 3/4"
- CL12S - 50' x 1"
- CL13S - 50' x 1 1/2"

Heat Shrink Tubing

- HP3550: 20-18 ga
6" pcs - 3/pkg - Red
- HP3570: 16-14 ga
6" pcs - 3/pkg - Blue
- HP3560: 12-10 ga
6" - 3/pkg - Yellow



Insulated Butt Connectors

- HP1210: 22-18 ga
70/pkg - Red
- HP1730: 16-14 ga
70/pkg - Blue
- HP2190: 12-10 ga
60/pkg - Yellow



Quick Splice Connectors



- HP1240: 22-18 ga
25/pkg - Red
- HP1760: 16-14 ga
25/pkg - Blue
- HP2170: 12-10 ga
12/pkg - Yellow

Pigtails & Sockets

Many popular applications:

- Headlamps
- Blower Motors
- Exterior Lighting
- Accessory Lighting
- Trailers
- And More

HP3940: 3 Wire
9004 & 9007 Bulbs

HP4610: 2 Wire
GM & Ford: Marker, Parking,
License Plate
161, 168, 194 Bulbs



Battery Terminals



Heavy Duty Top Post
10 Terminals / Card
903-10

Heavy Duty Side Post
7 Terminals / Card
905-7

Primary Wire Spools & Clam Shells

C14EB: 14 ga
100'/roll - Black

C14ER: 14 ga
100'/roll - Red

C16EB: 16 ga
100'/roll - Black

C16ER: 16 ga
100'/roll - Red



HP5900: 14 ga
20'/clamshell - Black

HP5880: 14 ga
20'/clamshell - Red

HP5790: 16 ga
30'/clamshell - Black

HP5780: 16 ga
30'/clamshell - Red

Other Gauges & Colors Available

Batteries

Lawn & Garden / Small Machinery

- GT-H - Group U1
- GT-R - Group U1R

Heavy Duty / Truck

- HP-31D - Group 31 Thrd. Post
- HP-31E - Group 31 Std. Post

EXIDE
BATTERIES



Full Line Coverage

65-60P

Specially Designed for F-Super Duty & Crown Vic Applications with Extreme Power Demand (*With Oversized Plates It Weighs 5 Lbs More Than a Standard Group 65 Battery*)

Large Warehouse Inventory Covers 98% of Vehicles in Operation

WE KNOW PARTS!

NEW PERFECT STOP Brake Rotors



- Baked on Finish is More Durable than Paint
- Resists Scratches, Gouges & Chips to Prevent Rust & Corrosion
- Hundreds of Applications in Stock
- **New Numbers Added Weekly**
 - Precision Balanced
 - Non-Directional Swirl Finish
 - Multiple Vein Configurations



Hundreds Kept in Stock Every Day!!!

Rubber Hose

Barricade® Fuel Injection Hose

- Protects Against Ethanol Degradation
- Meets EPA's **CARB** Standard
- Rated to 225 PSI



BARRICADE
FUEL INJECTION AND CARBURETION HOSE



27347 1/4" I.D. x 15'	27339 1/4" I.D. x 25'
27348 5/16" I.D. x 15'	27340 5/16" I.D. x 25'
27349 3/8" I.D. x 15'	27341 3/8" I.D. x 25'

Air Hoses



300 PSI	27485 25' x 1/4" I.D. x 1/4" NPT
	27488 25' x 3/8" I.D. x 3/8" NPT
200 PSI	27489 50' x 3/8" I.D. x 3/8" NPT
	27475 25' x 1/4" I.D. x 1/4" NPT
	27476 50' x 1/4" I.D. x 1/4" NPT
	27478 25' x 3/8" I.D. x 3/8" NPT
	27479 50' x 3/8" I.D. x 3/8" NPT



Vacuum Line

27041 7/64" x 25'
27042 5/32" x 25'
27043 7/32" x 25'



Barricade® Carburetion Fuel Line

- Protects Against Ethanol Degradation
- Meets EPA's **CARB** Standard
- Rated to 50 PSI



27313 1/4" I.D. x 25'
27314 5/16" I.D. x 25'
27315 3/8" I.D. x 25'



BARRICADE
FUEL INJECTION AND CARBURETION HOSE

Heater Hose



28400 1/2" x 50'
28401 5/8" x 50'
28402 3/4" X 50'



Contact your salesman to order and for pricing.